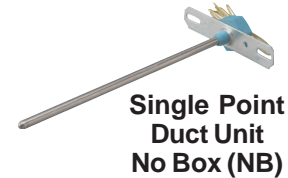


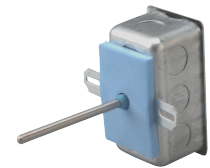
Version 1, 02/28/05

Features & Options

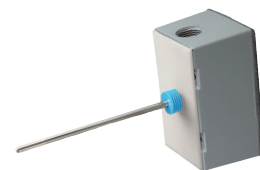
- Mounting Tabs for Easy Installation
- Probe Lengths: 4", 8", 12" and 18"
- Series 304 Stainless Steel Probes
- Double Encapsulated Sensors
- Medical-Grade Foam Padding
- Etched Teflon Leadwires
- Weatherproof or Weather Tight Enclosure (optional)
- Wide Selection of Temperature Sensing Elements
- Limited Lifetime Warranty



Single Point
Duct Unit
No Box (NB)



Single Point Duct
Unit with J-Box



Single Point Duct
with Weather Tight
(WP) Enclosure



Single Point Duct
with Weatherproof
(EU) Enclosure

Duct Units feature medical-grade closed cell foam to seal the probe insertion hole and to absorb vibration. Mounting tabs allow for easy installation directly to the wall of the duct. All Duct Units have etched Teflon leadwires and double encapsulated sensors to create a watertight package that can withstand high humidity and condensation and perform under real world conditions.

Single Point

Single Point Duct Units have probe lengths from 4" to 18" to accommodate most duct shapes and sizes. Custom probe lengths are also available. The Single Point Unit can also be provided without a junction box.

Sealant Filled Connectors

Twist-on (above)
Crimp-on (below)



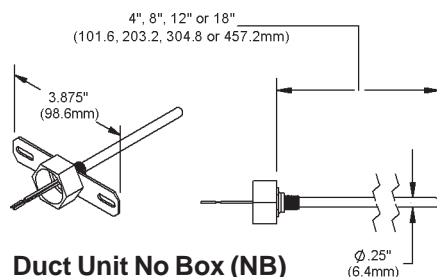
Our Sealant Filled Connectors contain a moisture-excluding sealant which encapsulates the electrical connection and adds an extra layer of protection against moisture and oxidation. For more info, see page E12.

WP or EU Enclosure

Duct Units are also available in a Weatherproof (WP) or Weather Tight (EU) enclosure. The WP enclosure carries a NEMA 3R rating, while the EU carries an IP 66 rating. Optional liquid-tight fittings and UV-resistant material are available for the EU enclosure, call BAPI for details and pricing.

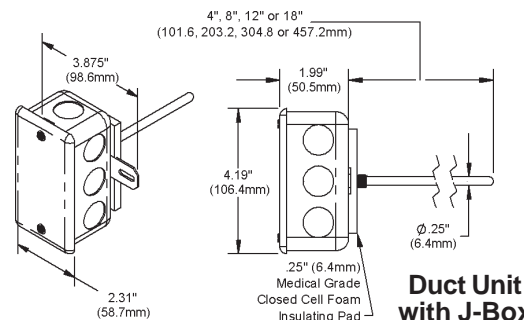
For detailed specifications on the individual Sensors & Transmitters, turn to Section F.

*Some items may not be CE compliant, call BAPI for additional info.

Specifications

Duct Unit No Box (NB)

Specifications for EU & WP Duct Units on opposite page.



**Duct Unit
with J-Box**

Enclosure Material:

WP Model: Cast Aluminum
EU Model: ABS Plastic
J-Box Model: Galv. Steel

Material Rating:

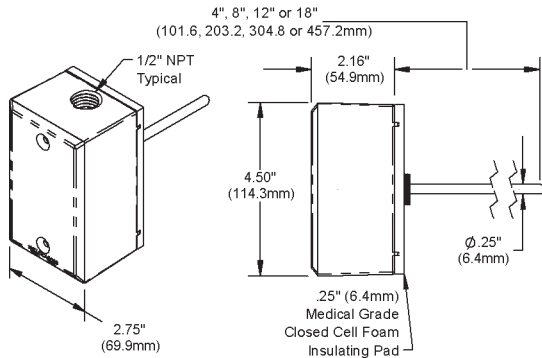
WP Model: NEMA 3R
EU Model: IP 66

Environmental Specifications

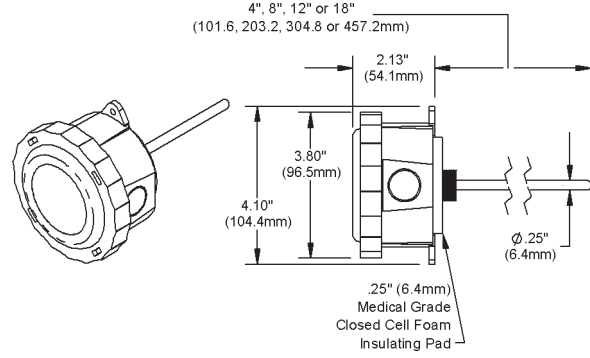
Temp.: -40 °C to 100 °C
Humidity: 0 to 100%, non-condensing

Version 1, 02/28/05

Specifications



Weatherproof (WP) Duct Unit



Weather Tight Enclosure (EU) Duct Unit

Ordering Information		Duct Units - Temperature		
BA/	Sensor Type	Use the designator number (shown to the left in bold) to indicate the sensor		
#	THERMISTORS			RTDs
	1.8K	1.8K Ω @ 25 °C	100	100 Ω Platinum @ 0 °C, .385 Ω/°C temp. coeff.
	3K	3K Ω @ 25 °C	1K (375)	1K Ω Platinum @ 0 °C, 3.75 Ω/°C temp. coeff.
	3.3K	3.3K Ω @ 25 °C	1K	1K Ω Platinum @ 0 °C, 3.85 Ω/°C temp. coeff.
	10K-2	10K Ω @ 25 °C	2K	2K Ω Silicon @ 20 °C, 8 Ω/°C temp. coeff.
	10K-3	10K Ω @ 25 °C		
	10K-3(11K)	5,238 Ω @ 25 °C		
	20K	20K Ω @ 25 °C	334	LM334 Semiconductor
	50K	50K Ω @ 25 °C	592	AD592 Semiconductor, 273 μA @ 0 °C ‡
	100K	100K Ω @ 25 °C	592-10K	AD592 Semiconductor with a 10 kΩ shunt resistor, 2.73 V @ 0 °C
		TEMPERATURE TRANSMITTERS <i>Must include a "range" figure</i>		
	T100[range]	100 Platinum RTD, 100 Ω @ 0 °C with 4 to 20 mA Output		
	T100M[range]	100 Platinum RTD, 100 Ω @ 0 °C with MATCHED* 4 to 20 mA Output		
	T1K[range]	1K Platinum RTD, 1,000 Ω @ 0 °C with 4 to 20 mA Output		
	T1KM[range]	1K Platinum RTD, 1,000 Ω @ 0 °C with MATCHED* 4 to 20 mA Output		
T10K[range]	10K Thermistor, 10,000 Ω @ 25 °C with 4 to 20 mA Output			
	TEMPERATURE TRANSMITTER RANGES			
	Custom temperature transmitter ranges are available. Common ranges are listed below			
	40 to 90 °F	4 to 32 °C	-30 to 130 °F -34 to 54 °C	
	0 to 100 °F	-18 to 38 °C	32 to 212 °F 0 to 100 °C	
	20 to 120 °F	-7 to 48 °C	30 to 234 °F -1 to 112 °C	
	32 to 134 °F	0 to 57 °C		
	Probe Length			
	-D-4"	4" length of 1/4" Diameter, Stainless Steel Probe		
	-D-8"	8" length of 1/4" Diameter, Stainless Steel Probe		
	-D-12"	12" length of 1/4" Diameter, Stainless Steel Probe		
	-D-18"	18" length of 1/4" Diameter, Stainless Steel Probe		
	-D-XX"	Custom lengths of 1/4" Dia, Stainless Steel Probe are available. Call for details.		
	Enclosure Type <i>2"x4" Steel J-Box comes standard</i>			
	-WP	Weatherproof Enclosure - NEMA 3R rated metal enclosure		
	-EU	Weather Tight Enclosure - IP66 rated ABS polymer enclosure		
	-EUO	Weather Tight Enclosure - IP66 rated UV-resistant enclosure		
	-NB-18	No Junction Box, 18" Lead Length		
	-NB-5	No Junction Box, 5' Lead Length		
	-NB-10	No Junction Box, 10' Lead Length		
	-NB-15	No Junction Box, 15' Lead Length		
	-NB-XX	Custom lead lengths are available. Call for details.		
EXAMPLE				
BA/	10K-2	-D-8"	-NB-5	
Example Part Number: BA/10K-2-D-8"-NB-5				
Your Part Number				

Call BAPI if you have questions about the above ordering grid or the configuration of the product you are ordering.